

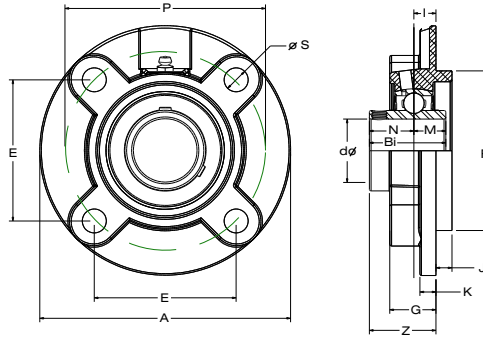
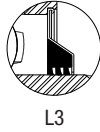
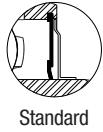


# UCFCS 200 SERIES

Normal-Duty Flange Cartridge  
Setscrew Lock  
(Inch-Based Housing)

**TURNER**  
Mounted Bearings

Available Seal Styles:



Bearing Number	Shaft Dia. d in. mm.	Dimensions in. mm.													Bolt Used in. mm.	Load Rating lbs. kN.		Bearing Insert	Housing Number	Weight lbs. kg.
		A	P	E	I	S	J	K	G	F*	Z	Bi	N	M		Dynamic C <sub>r</sub>	Static C <sub>0r</sub>			
UCFCS 206-17	1 1/16	4.38 111.0	3.625 92.1	2.56 65.0	0.39 9.9	0.47 12.0	0.25 6.1	0.38 9.4	0.94 23.9	3.000 76.2	1.27 32.3	1.5000 38.1	0.6260 15.9	0.8740 22.2	3/8 M10	4,377 19.47	2,569 11.43	UC 206-17	FCS 206	2.6 1.2
UCFCS 206-18	1 1/8																	UC 206-18		
UCFCS 206	30																	UC 206		
UCFCS 206-19	1 3/16																	UC 206-19		
UCFCS 206-20	1 1/4																	UC 206-20		
UCFCS 207-20	1 1/4	5.00 127.0	4.125 104.8	2.92 74.1	0.31 7.9	0.47 12.0	0.38 9.4	0.38 9.4	0.88 22.6	3.375 85.7	1.31 33.3	1.6890 42.9	0.6890 17.5	1.0000 25.4	3/8 M10	5,775 25.69	3,497 15.56	UC 207-20	FCS 207	3.5 1.6
UCFCS 207-21	1 5/16																	UC 207-21		
UCFCS 207-22	1 3/8																	UC 207-22		
UCFCS 207	35																	UC 207		
UCFCS 207-23	1 7/16																	UC 207-23		
UCFCS 208-24	1 1/2	5.25 133.1	4.375 111.1	3.09 78.6	0.35 8.9	0.47 12.0	0.44 10.9	0.44 10.9	1.02 25.9	3.625 92.1	1.54 39.1	1.9370 49.2	0.7480 19.0	1.1890 30.2	7/16 M10	6,634 29.51	4,079 18.14	UC 208-24	FCS 208	4.4 2.0
UCFCS 208-25	1 9/16																	UC 208-25		
UCFCS 208	40																	UC 208		
UCFCS 209-26	1 5/8	6.13 155.4	5.125 130.2	3.63 92.0	0.31 7.9	0.55 14.0	0.44 10.9	0.44 10.9	1.00 25.4	4.250 108.0	1.54 39.1	1.9370 49.2	0.7480 19.0	1.1890 30.2	1/2 M12	7,160 31.85	4,676 20.80	UC 209-26	FCS 209	4.8 2.2
UCFCS 209-27	1 11/16																	UC 209-27		
UCFCS 209-28	1 3/4																	UC 209-28		
UCFCS 209	45																	UC 209		
UCFCS 210-30	1 7/8	6.13 155.4	5.125 130.2	3.63 92.0	0.31 7.9	0.55 14.0	0.47 11.9	0.44 10.9	0.98 24.9	4.250 108.0	1.59 40.4	2.0315 51.6	0.7480 19.0	1.2835 32.6	1/2 M12	7,867 35.00	5,330 23.71	UC 210-30	FCS 210	5.9 2.7
UCFCS 210-31	1 15/16																	UC 210-31		
UCFCS 210	50																	UC 210		
UCFCS 210-32	2																	UC 210-32		
UCFCS 211-32	2	6.38 162.1	5.375 136.5	3.81 97.0	0.28 7.1	0.55 14.0	0.63 16.0	0.44 10.9	1.02 25.9	4.500 114.3	1.59 40.4	2.1890 55.6	0.8740 22.2	1.3150 33.4	1/2 M12	9,743 43.34	6,608 29.40	UC 211-32	FCS 211	7.3 3.3
UCFCS 211-34	2 1/8																	UC 211-34		
UCFCS 211	55																	UC 211		
UCFCS 211-35	2 3/16																	UC 211-35		
UCFCS 212-36	2 1/4	7.13 180.8	6.000 152.4	4.25 108.0	0.16 4.1	0.55 14.0	0.88 22.1	0.50 13.0	1.02 25.9	5.000 127.0	1.72 43.7	2.5630 65.1	1.0000 25.4	1.5630 39.7	1/2 M12	10,720 47.69	7,516 33.43	UC 212-36	FCS 212	9.7 4.4
UCFCS 212	60																	UC 212		
UCFCS 212-38	2 3/8																	UC 212-38		
UCFCS 212-39	2 7/16																	UC 212-39		
UCFCS 213-40	2 1/2	7.63 193.7	6.500 165.1	4.63 117.0	0.43 10.9	0.55 14.0	0.79 20.1	0.56 14.0	1.30 33.0	5.500 139.7	2.00 50.8	2.5630 65.1	1.0000 25.4	1.5630 39.7	1/2 M12	12,859 57.20	8,994 40.01	UC 213-40	FCS 213	11.9 5.4
UCFCS 213	65																	UC 213		
UCFCS 214-43	2 11/16	7.63 193.7	6.500 165.1	4.62 117.0	0.43 10.9	0.55 14.0	0.79 20.0	0.56 14.0	1.31 33.3	5.500 139.7	2.18 55.4	2.9370 74.6	1.1890 30.2	1.7480 44.4	1/2 M12	13,981 62.19	9,869 43.90	UC 214-43	FCS 214	13.2 6.0
UCFCS 214-44	2 3/4																	UC 214-44		
UCFCS 214	70																	UC 214		
UCFCS 215-47	2 15/16	8.75 222.3	7.500 190.5	5.30 134.7	0.55 14.0	0.69 17.55	0.79 20.0	0.63 16.0	1.42 36.0	6.375 161.9	2.30 58.4	3.0630 77.8	1.3110 33.3	1.7520 44.5	5/8 M16	14,974 66.61	10,757 47.85	UC 215-47	FCS 215	15.4 7.0
UCFCS 215	75																	UC 215		
UCFCS 215-48	3																	UC 215-48		

\*Tolerance +0.000" / -0.002"